

# 2MP ColorHunter HD Fixed PT Analog Camera

UAC-P112-AF40-W-H



## Introduction

UAC-P112-AF40-W-H is a 2MP ColorHunter HD Fixed PT analog camera with a high-performance 1/2.9-inch CMOS sensor. It supports TVI/AHD/CVI/CVBS, which effectively enhances product adaptability and diversity of networking solutions. With SYV-75-3 or other coaxial cable types, the camera can achieve low-cost, long-distance, and anti-interference megapixel HD video transmission without time delay. It supports audio input, synchronous transmission of audio and video, and provides 24/7 color images. The pan&tilt design allows the camera to rotate horizontally and vertically to achieve a wide range of monitoring.

## Features

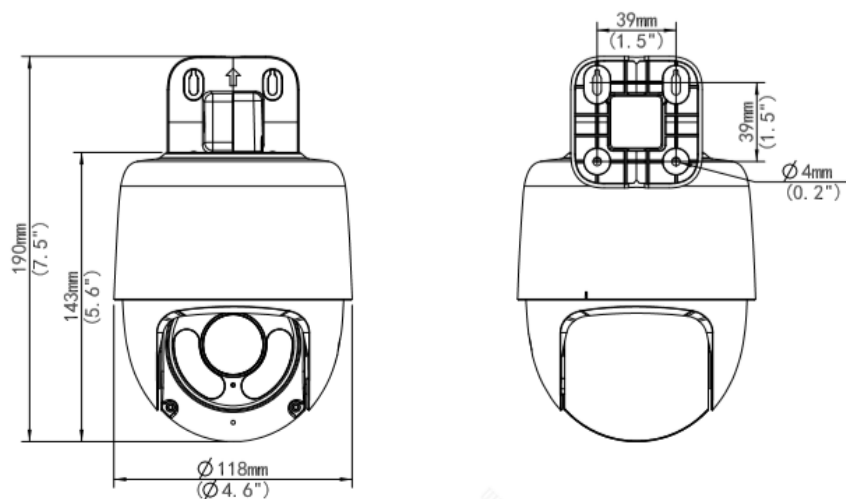
- 2MP high quality imaging
- TVI/AHD/CVI/CVBS
- Supports white light illumination, 24/7 color images
- Supports 180° horizontal flip, 180° vertical flip
- OSD configuration menu, easy to operate
- IP66 waterproof and dustproof design, high reliability
- OSD configuration menu in 11 languages
- Built-in microphone for high quality audio transmission via coaxial cables
- Supports 0 to 345° pan range, 0 to 90° tilt range
- Supports digital defog

## Specifications

Model	UAC-P112-AF40-W-H
<b>Sensor</b>	
Pixel	2MP
Size	1/2.9"
Minimum illumination	0.005 lux (F1.6, AGC ON) 0 lux (white light on)
<b>Lens</b>	
Lens	4.0mm
Lens mount	M12
Angle of view	H: 83.8° V: 42.7° D: 100.1°
<b>Illuminator</b>	
Illuminator	Eight white-light illuminators
Illumination distance	30m
Lifetime	≥20,000 hours
<b>Video</b>	
Resolution	1080P: 1920(H)×1080(V) 720P: 1280(H) ×720(V)
Frame rate	TVI/AHD/CVI: 1080P@25fps (default), 1080P@30fps; 720P@25fps, 720P@30fps CVBS: PAL, NTSC
Shutter time	PAL: 1/25s-1/50000s NTSC: 1/30s-1/50000s
<b>Image</b>	
Exposure mode	Four modes: Global (default), BLC, HLC, DWDR
Day/Night	24/7 color images
Digital noise reduction	2D/3D
White balance	Two modes: Auto (default), Manual
WDR	DWDR
Flip	Supports 180° horizontal flip, 180° vertical flip
Defog	Digital Defog
<b>Pan &amp; Tilt</b>	
Pan range/speed	Pan range: 0° to 345° Pan speed: 1° to 40°/s
Tilt range/speed	Tilt range: 0° to 90° Tilt speed: 1° to 30°/s
Presets	32
Control mode	Coaxial control, RS485 control
<b>Audio</b>	
Microphone	Built-in Mic
Camera audio	TVI: 1080P@25fps, 1080P@30fps CVI: 1080P@25fps, 1080P@30fps
<b>Interface</b>	
Power	5.5mm power interface
Video output	BNC, supports TVI/AHD/CVI/CVBS

RS485	1* RS485, supports 9600bps, 4800bps, 2400bps, 1200bps
<b>Operating environment</b>	
Temperature	-30°C to 60°C (-22°F to 140°F)
Humidity	≤95% (RH, non-condensing)
Surge protection	4kV for power and video output interfaces, 6kV for RS485 interface
<b>General</b>	
Power	DC 12V (±25%), with reverse polarity protection. Max 8.5W
Mount	Supplied bracket for wall or pendent mount; optional bracket and junction box (sold separately) for pole mount and corner mount
Dimensions	Φ118mm*190mm (diameter*height)
Material	Plastic
Weight	477g (1.05lb)
OSD menu language	11 Languages English, German, Spanish(Latin America), French, Italian, Japanese, Korean, Polish, Portuguese(Brazil), Russian, Turkish
<b>Certification</b>	
EMC	CE-EMC (EN 55032,EN 61000-3-3,EN IEC 61000-3-2,EN 55035) FCC (FCC 47 CFR part15 B)
Safety	CE-LVD (EN 62368-1) CB (IEC 62368-1)
Environment	CE-RoHS (2011/65/EU;(EU)2015/863); WEEE (2012/19/EU)
Protection	IP66 (IEC 60529)

## Dimensions



UAC-P112-AF40-W-H

## Accessories

TR-JB05-A-IN

Junction Box



TR-UP06-B-IN

Pole Mount



TR-UP06-C-IN

Pole Mount



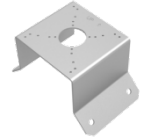
TR-A01-IN

Waterproof Joint



TR-UC08-C

Corner Mount



PWR-DC1201A-IND

Wall Plug-in IND  
Power Adapter



PWR-DC1201A-UK,  
PWR-DC1201B-UK

Wall Plug-in UK Power  
Adapter



PWR-DC1201A-US,  
PWR-DC1201B-US

Wall Plug-in US Power  
Adapter



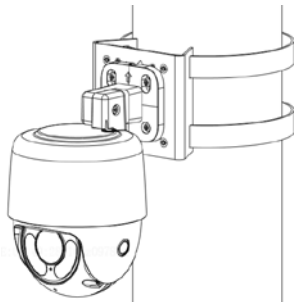
PWR-DC1201A-EU,  
PWR-DC1201B-EU

Wall Plug-in EU Power  
Adapter

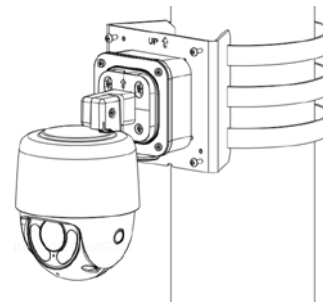


### Mount

TR-UP06-B-IN

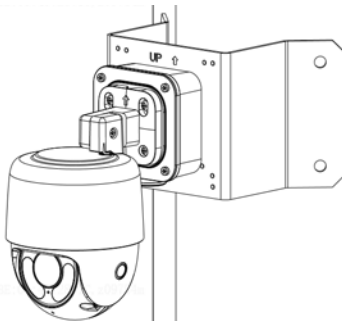


TR-JB05-A-IN+TR-UP06-C-IN



\* If a junction box is used, the tail cable that leads directly from the sun shield will be exposed.

TR-JB05-A-IN+TR-UC08-C



\* If a junction box is used, the tail cable that leads directly from the sun shield will be exposed.

**Zhejiang Uniview Technologies Co., Ltd.**

Building No. 369, Xietong Road, Xixing Sub-district, Binjiang District, Hangzhou City, Zhejiang Province, China (310051)

Email: [overseasbusiness@uniview.com](mailto:overseasbusiness@uniview.com); [globalsupport@uniview.com](mailto:globalsupport@uniview.com)

<http://www.uniview.com>

©2023 Zhejiang Uniview Technologies Co., Ltd. All rights reserved.

\*Product specifications and availability are subject to change without notice.